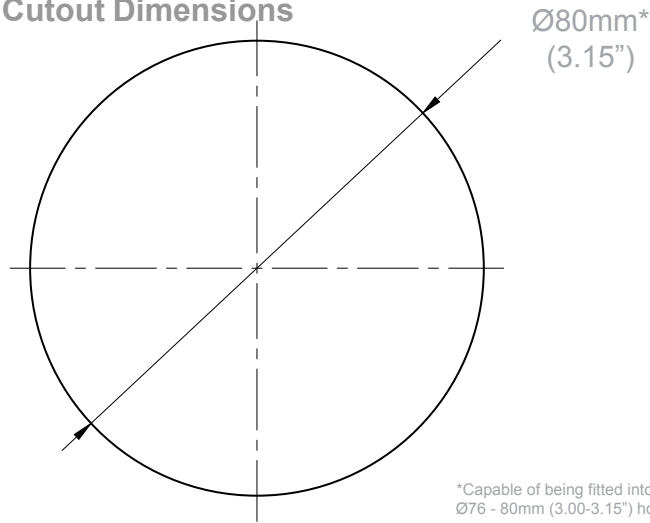
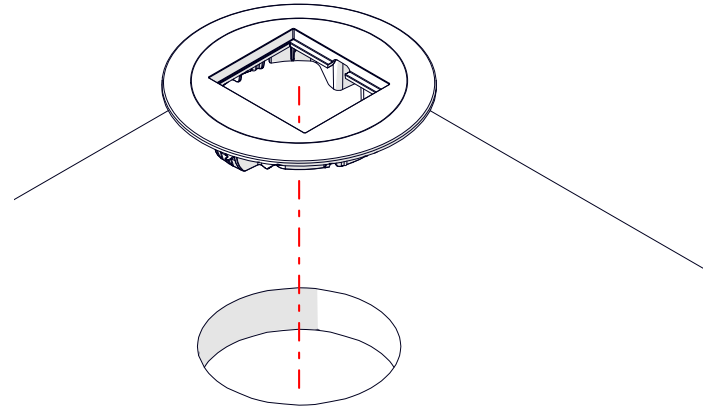


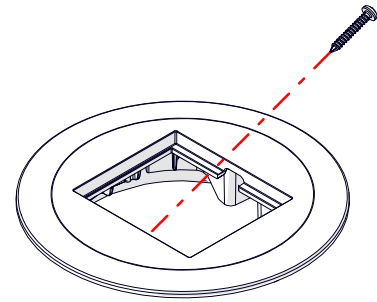
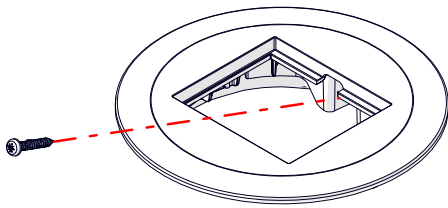
Cutout Dimensions



- 1 Place QF PORT into 80mm* (3.15") grommet hole

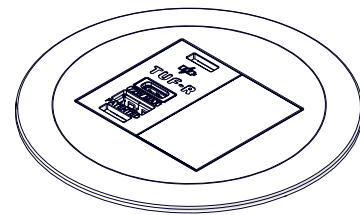
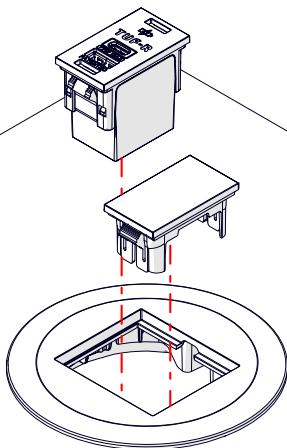


- 2 Secure in place using screws



*Ensure screws are suitable for the surface being mounted to, OE accept no responsibility for damaged surfaces if the screws used are not suitable

- 3 Clip chosen QF5 fascias* into place



*Compatible QF5 fascias can be viewed on the PORT web page